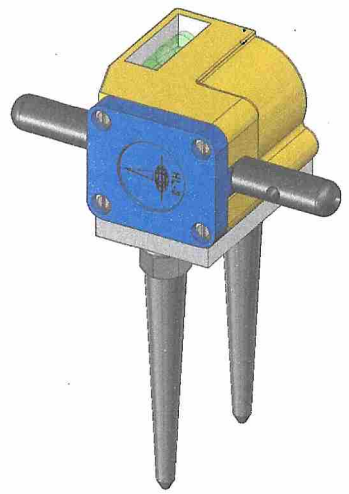
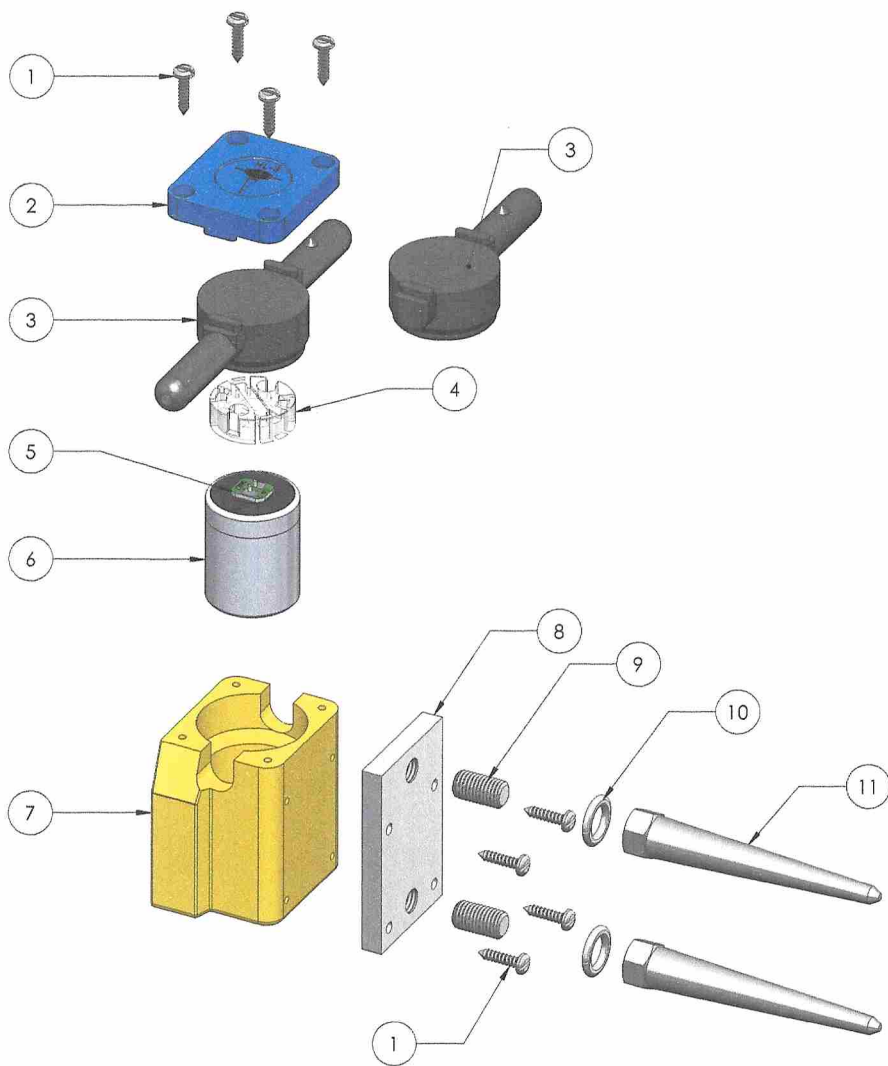


1 2 3 4 5 6

REVISIONS			
REV.	DESCRIPTION	APP'D.	DATE
a	HLH case colour changed orange to yellow		27/09/16



11	CGXXXXXX	STEEL SPIKE	2	ea
10	CG000051	S.S. SPRING WASHER, HM-8/HL-3 CASE	2	ea
9	CE001141	STAINLESS STEEL STUD, 5/16UNF-24x14mm, HL-6B	2	ea
8	CG000472	2 SPIKE BASE PLATE, ALUMINIUM, HLH CASE	1	ea
7	SG000221	HLH CASE-SUB ASSY. WITH BUBBLE LEVEL	1	ea
6	SGXXXXXX	GEOPHONE ELEMENT	1	ea
5	CPXXXXXX	PCB WITH RESISTOR	1	ea
4	CG000141	STRESS RING, POLYCARBONATE, RED, 4.57/5.33MM	1	ea
	CG000140	STRESS RING, POLYCARBONATE, BLUE, 4.57/5.33MM		
	CG000136	STRESS RING, POLYCARBONATE, NATURAL, 4.57/5.33MM		
3	CG000018	RUBBER GASKET B	1	ea
	CG000017	RUBBER GASKET A		
2	CG000267	HL-3 TOP PLATE, GREEN	1	1
	CG000134	HL-3 TOP PLATE, BLUE		
	CG000125	HL-3 TOP PLATE, RED		
	CG000002	HL-3 TOP PLATE, YELLOW		
1	CG000032	S.S. SCREW, SELF TAPPING, HL-3	8	ea
ITEM NO.	PART NUMBER	Description	QTY.	Unit

THIS DRG. IS THE SOLE PROPERTY OF HGS (INDIA) LIMITED UNAUTHORIZED USE OF THIS DRG. OR MAKING PRODUCT AS PER OUR DRG. WITHOUT OUR PERMISSION OR ANY MISUSE IS NOT PERMITTED.

<b>HGS (INDIA) LIMITED</b> 158, SECTOR-4 IMT MANESAR GURGAON-122 050	SIGNATURE	DATE	TITLE:
	DRN	02/05/15	<b>HLH CASE ASSY. WITH 2 SPIKES</b>
	CHK'D	02/05/15	REF. NO.
	REW	02/05/15	DWG. NO. <b>AG000016</b>
APP'D	02/05/15	REV. <input type="checkbox"/>	SHEET SCALE 1:2